



# SOFN 500 Series Cast Steel

SOFN 500 oil ring lubricated bearing housings are designed for spherical roller bearings with adapter sleeves operating at high running & high temperatures.

Bearing housings of this design are often used for fans, flywheels, power installations & cement works.

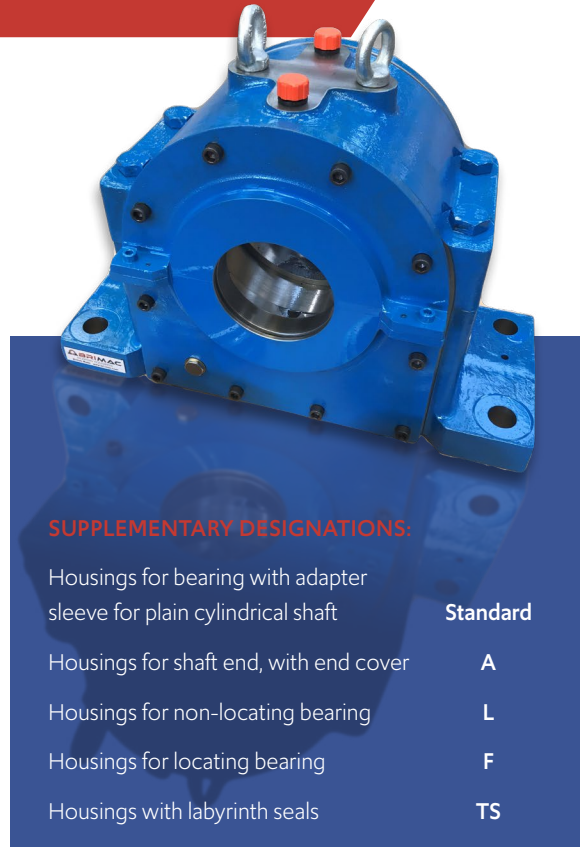
These housings are available for shaft diameter range from  $\varnothing 45\text{mm}$  to  $\varnothing 220\text{mm}$  and can be supplied for locating & non-locating bearing arrangements & supplied with an end cover for shaft ends.

Bri-Mac can supply additional tappings for shock pulse meters and temperature sensor fittings.

These housings are traditionally supplied in Grey Cast Iron, but for applications where housing of greater strength are needed, we can also supply in Cast Steel & SG Iron.

For very high temperature applications, we can also offer water-cooling pipework to fit within the oil sump area in the base of the housing.

For larger bearings that are not listed in this document, please contact us and we will be delighted to assist.



**SUPPLEMENTARY DESIGNATIONS:**

Housings for bearing with adapter sleeve for plain cylindrical shaft	<b>Standard</b>
Housings for shaft end, with end cover	<b>A</b>
Housings for non-locating bearing	<b>L</b>
Housings for locating bearing	<b>F</b>
Housings with labyrinth seals	<b>TS</b>

**SEALS:**

Standard labyrinth seals with additional external oil traps are supplied with these housings.

**EYE BOLT:**

Eyebolts are provided for heavier bearing housings.

**MATERIALS:**

SOFN housings can be supplied in following materials.

- High Grade grey cast iron **SOFN**
- Cast steel **SOFNS**
- Spheroidal graphite iron (Ductile Iron) **SOFND**

**NOTE:** it is important to specify the bearing housing requirement as-

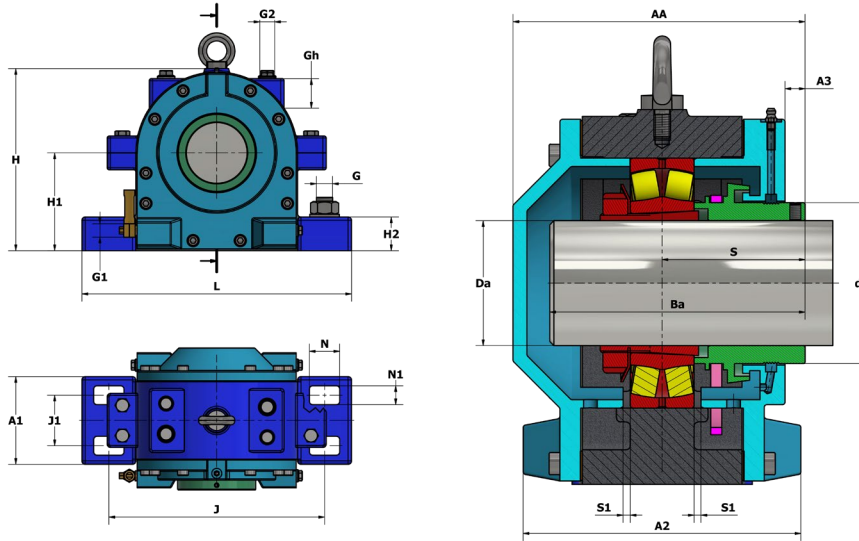
- (1) **AL** Housings for shaft end, with end cover, for non-locating bearing.
- (2) **AF** Housings for shaft end, with end cover, for locating bearing.
- (3) **BL** Housings for through shaft, for non-locating bearing.
- (4) **BF** Housings for through shaft, for locating bearing.

“BEARING HOUSING SOLUTIONS – WORLDWIDE”





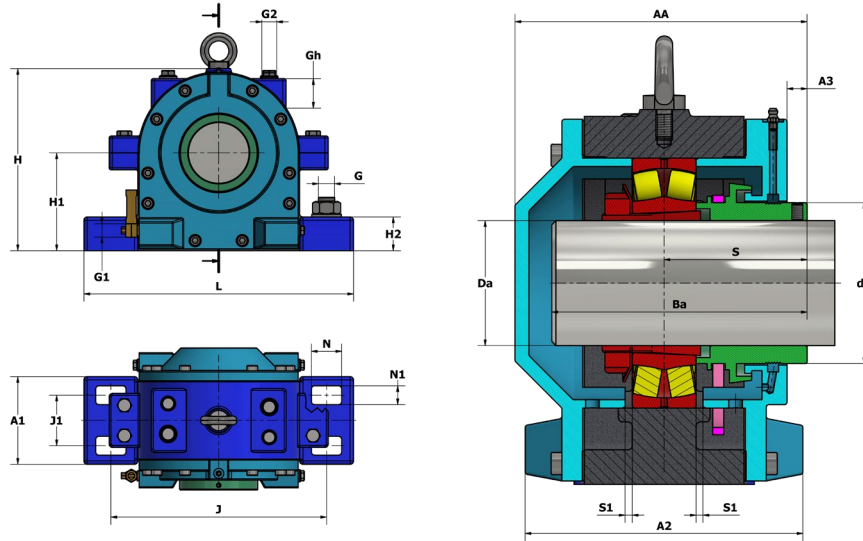
## SOFN 500 Series Cast Steel (Blank)



Bri-Mac Part No	Shaft Dia	Dimensions (mm)																				Bearing No.	Adapter Sleeve	
		da	d1	AA	AB	A1	A2	A3	H	H1	H2	J	J1	L	N	N1	S	S1	G	G1	G2			Gh
SOFN 610	45	58	142.5	150	92	145	75	168	95	30	210	50	270	30	19	75	3	M16	R1/4	R3/8	27	128	22310CCK	H2310
SOFN 611	50	65	147.5	155	95	148	75	180	100	30	233	50	290	33	19	77.5	3	M16	R1/4	R3/8	27	134	22311CCK	H2311
SOFN 512	55	70	142.5	150	92	145	75	168	95	30	210	50	270	30	19	75	3	M16	R1/4	R3/8	27	128	22212CCK	H312
SOFN 612		70	162.5	170	100	152	75	198	110	30	230	55	290	34	19	85	5	M16	R1/4	R3/8	27	147	22312CCK	H2313
SOFN 513	60	75	147.5	155	95	148	75	180	100	30	233	50	290	34	19	77.5	5	M16	R1/4	R3/8	27	134	22213CCK	H313
SOFN 613		75	172.5	180	110	182	75	230	125	35	260	60	330	40	24	90	3	M20	R1/4	R3/8	27	153	22313CCK	H2313
SOFN 515	65	85	172.5	170	100	152	75	198	110	30	230	55	290	34	19	85	5	M16	R1/4	R3/8	27	145	22215CCK	H 315
SOFN 615		85	180	190	120	190	10	245	135	45	290	70	360	40	24	95	5	M20	R1/2	R3/8	27	161	22315CCK	H2315
SOFN 516	70	95	172.5	180	110	182	75	230	125	35	260	60	330	40	24	90	5	M20	R1/2	R3/8	27	149	22215CCK	H316
SOFN 616		95	199	214	135	210	15	255	140	40	290	80	360	40	24	107	5	M20	R1/2	R3/8	27	181	22316CCK	H2316
SOFN 517	75	96	172.5	180	110	182	75	230	125	35	260	60	330	40	24	90	5	M20	R1/2	R3/8	27	150	22217CCK	H317
SOFN 617		96	206	206	130	205	10	270	145	50	320	75	400	45	28	103	5	M24	R1/2	R1/2	27	188	22317CCK	H2317
SOFN 518	80	100	180	190	120	190	10	245	135	45	290	70	360	40	24	95	5	M20	R1/2	R3/8	27	161	22218CCK	H318
SOFN 618		104	225	240	165	246	15	280	155	50	317	95	400	45	28	120	5	M24	R1/2	R1/2	32	198	22318CCK	H2318
SOFN 519	85	105	192	200	135	210	8	255	140	45	290	80	360	40	24	100	5	M20	R1/2	R3/8	27	171	22219CCK	H 319
SOFN 619		105	240	229	145	216	13	290	160	50	347	75	420	45	28	114.5	5	M24	R1/2	R1/2	27	211	22319CCK	H2319
SOFN 520	90	110	196	206	130	205	10	270	145	50	320	75	400	45	28	103	5	M24	R1/2	R1/2	27	177	22220CCK	H320
SOFN 620		115	255	270	170	245	15	315	170	55	347	90	420	45	28	135	8	M24	R1/2	R1/2	27	226	22320CCK	H2320



# SOFN 500 Series Cast Steel (Blank)

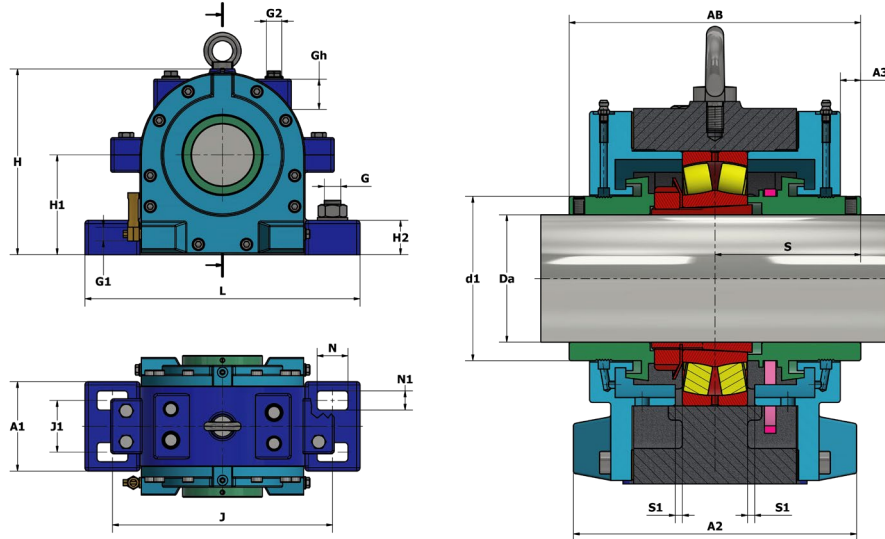


Bri-Mac Part No	Shaft Dia	Dimensions (mm)																			Bearing No.	Adapter Sleeve		
		da	d1	AA	AB	A1	A2	A3	H	H1	H2	J	J1	L	N	N1	S	S1	G	G1			G2	Gh
SOFN522	100	120	216	229	145	216	13	290	160	50	347	75	420	45	28	114.5	5	M24	R1/2	R1/2	27	192	22222CCK	H322
SOFN622		130	270	290	190	265	20	355	190	65	415	100	500	45	35	145	8	M30	R1/2	R3/4	33	243	22322CCK	H2322
SOFN524	110	135	258	276	170	245	18	315	170	55	347	90	420	45	28	138	8	M24	R1/2	R1/2	27	225	22224CCK	H3124
SOFN624		140	285.5	306	190	265	20.5	375	200	65	450	115	540	50	35	153	8	M30	R1/2	R3/4	44	254	22324CCK	H2324
SOFN526	115	145	255	270	180	260	15	335	180	60	377	100	450	45	28	135	8	M24	R1/2	R1/2	32	226	22226CCK	H3126
SOFN626		150	300	320	205	285	20	405	215	65	470	120	560	50	35	160	8	M30	R1/2	R3/4	38	265	22326CCK	H2326
SOFN528	125	160	265	280	190	265	15	355	190	65	415	100	500	45	35	140	8	M30	R1/2	R3/4	33	234	22228CCK	H3128
SOFN628		165	320	340	220	300	20	425	230	80	510	120	630	60	35	170	8	M30	R1/2	R3/4	42	287	22328CCK	H2328
SOFN530	135	170	265	280	190	265	15	375	200	65	450	115	540	50	35	140	8	M30	R1/2	R3/4	44	239	22230CCK	H3130
SOFN630		175	335	350	240	320	15	455	245	75	545	150	650	65	35	175	10	M30	R1/2	R3/4	44	292	22330CCK	H2330
SOFN532	140	178	298	316	205	280	18	405	215	65	470	120	560	50	35	158	10	M30	R1/2	R3/4	38	266	22232CCK	H3132
SOFN632		190	350	370	250	335	20	480	260	85	590	150	720	70	42	185	10	M36	R1/2	R3/4	50	315	22332CCK	H2332
SOFN534	150	195	330	350	230	310	20	440	235	70	515	130	610	55	35	175	10	M30	R1/2	R3/4	46	290	22234CCK	H3134
SOFN634		197	358	378	260	350	20	510	275	85	600	160	730	70	42	189	12	M36	R1/2	R3/4	44	321	22334CCK	H2334
SOFN536	160	205	340	360	240	320	20	455	245	75	545	150	650	65	35	180	10	M30	R1/2	R3/4	44	296	22236CCK	H3136
SOFN636		210	384.5	404	280	370	19.5	565	305	95	670	180	820	80	42	202	12	M36	R1/2	R3/4	48	342	22336CCK	H2336
SOFN538	170	220	350	370	250	335	20	480	260	85	590	150	720	70	42	185	12	M36	R1/2	R3/4	50	317	22238CCK	H3138
SOFN540	180	227	358	378	260	350	20	510	275	85	600	160	730	70	42	189	12	M36	R1/2	R3/4	44	315	22240CCK	H3140
SOFN544	200	255	384.5	404	280	370	19.5	565	305	95	670	180	820	80	42	202	12	M36	R1/2	R3/4	48	342	22244CCK	H3144
SOFN548	220	270	400	420	290	380	20	625	340	100	740	190	900	80	42	210	12	M36	R1/2	R3/4	56	360	22248CCK	H3148





## SOFN 500 Series Cast Steel (Through)

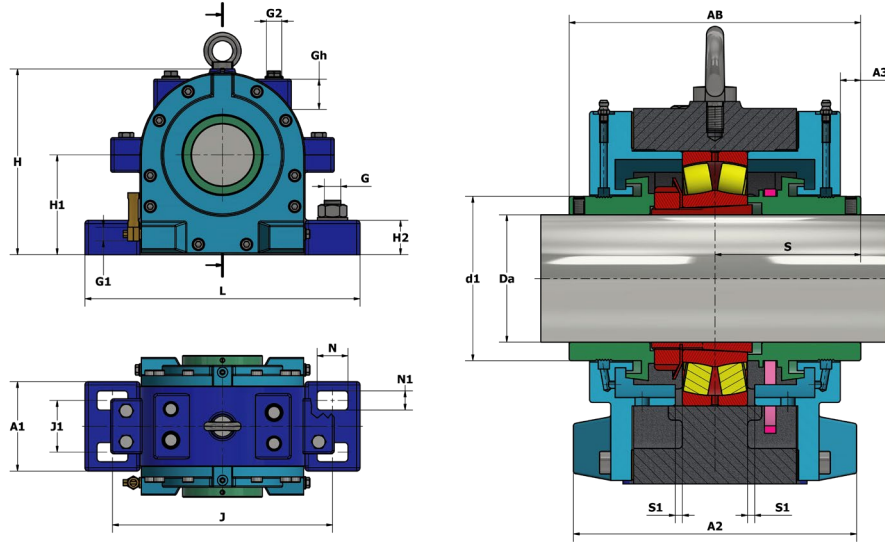


Bri-Mac Part No	Shaft Dia da	Dimensions (mm)																				Bearing No.	Adapter Sleeve	
		d1	AA	AB	A1	A2	A3	H	H1	H2	J	J1	L	N	N1	S	S1	G	G1	G2	Gh			Ba
SOFN 610	45	58	142.5	150	92	145	75	168	95	30	210	50	270	30	19	75	3	M16	R1/4	R3/8	27	128	22310CCK	H2310
SOFN 611	50	65	147.5	155	95	148	75	180	100	30	233	50	290	33	19	77.5	3	M16	R1/4	R3/8	27	134	22311CCK	H2311
SOFN 512	55	70	142.5	150	92	145	75	168	95	30	210	50	270	30	19	75	3	M16	R1/4	R3/8	27	128	22212CCK	H312
SOFN 612		70	162.5	170	100	152	75	198	110	30	230	55	290	34	19	85	5	M16	R1/4	R3/8	27	147	22312CCK	H2313
SOFN 513	60	75	147.5	155	95	148	75	180	100	30	233	50	290	34	19	77.5	5	M16	R1/4	R3/8	27	134	22213CCK	H313
SOFN 613		75	172.5	180	110	182	75	230	125	35	260	60	330	40	24	90	3	M20	R1/4	R3/8	27	153	22313CCK	H2313
SOFN 515	65	85	172.5	170	100	152	75	198	110	30	230	55	290	34	19	85	5	M16	R1/4	R3/8	27	145	22215CCK	H 315
SOFN 615		85	180	190	120	190	10	245	135	45	290	70	360	40	24	95	5	M20	R1/2	R3/8	27	161	22315CCK	H2315
SOFN 516	70	95	172.5	180	110	182	75	230	125	35	260	60	330	40	24	90	5	M20	R1/2	R3/8	27	149	22215CCK	H316
SOFN 616		95	199	214	135	210	15	255	140	40	290	80	360	40	24	107	5	M20	R1/2	R3/8	27	181	22316CCK	H2316
SOFN 517	75	96	172.5	180	110	182	75	230	125	35	260	60	330	40	24	90	5	M20	R1/2	R3/8	27	150	22217CCK	H317
SOFN 617		96	206	206	130	205	10	270	145	50	320	75	400	45	28	103	5	M24	R1/2	R1/2	27	188	22317CCK	H2317
SOFN 518	80	100	180	190	120	190	10	245	135	45	290	70	360	40	24	95	5	M20	R1/2	R3/8	27	161	22218CCK	H318
SOFN 618		104	225	240	165	246	15	280	155	50	317	95	400	45	28	120	5	M24	R1/2	R1/2	32	198	22318CCK	H2318
SOFN 519	85	105	192	200	135	210	8	255	140	45	290	80	360	40	24	100	5	M20	R1/2	R3/8	27	171	22219CCK	H 319
SOFN 619		105	240	229	145	216	13	290	160	50	347	75	420	45	28	114.5	5	M24	R1/2	R1/2	27	211	22319CCK	H2319
SOFN 520	90	110	196	206	130	205	10	270	145	50	320	75	400	45	28	103	5	M24	R1/2	R1/2	27	177	22220CCK	H320
SOFN 620		115	255	270	170	245	15	315	170	55	347	90	420	45	28	135	8	M24	R1/2	R1/2	27	226	22320CCK	H2320





# SOFN 500 Series Cast Steel (Through)



Bri-Mac Part No	Shaft Dia	Dimensions (mm)																				Bearing No.	Adapter Sleeve	
		da	d1	AA	AB	A1	A2	A3	H	H1	H2	J	J1	L	N	N1	S	S1	G	G1	G2			Gh
SOFN522	100	120	216	229	145	216	13	290	160	50	347	75	420	45	28	114.5	5	M24	R1/2	R1/2	27	192	2222CCK	H322
SOFN622		130	270	290	190	265	20	355	190	65	415	100	500	45	35	145	8	M30	R1/2	R3/4	33	243	2232CCK	H2322
SOFN524	110	135	258	276	170	245	18	315	170	55	347	90	420	45	28	138	8	M24	R1/2	R1/2	27	225	2224CCK	H3124
SOFN624		140	285.5	306	190	265	20.5	375	200	65	450	115	540	50	35	153	8	M30	R1/2	R3/4	44	254	2234CCK	H2324
SOFN526	115	145	255	270	180	260	15	335	180	60	377	100	450	45	28	135	8	M24	R1/2	R1/2	32	226	2226CCK	H3126
SOFN626		150	300	320	205	285	20	405	215	65	470	120	560	50	35	160	8	M30	R1/2	R3/4	38	265	2236CCK	H2326
SOFN528	125	160	265	280	190	265	15	355	190	65	415	100	500	45	35	140	8	M30	R1/2	R3/4	33	234	2228CCK	H3128
SOFN628		165	320	340	220	300	20	425	230	80	510	120	630	60	35	170	8	M30	R1/2	R3/4	42	287	2238CCK	H2328
SOFN530	135	170	265	280	190	265	15	375	200	65	450	115	540	50	35	140	8	M30	R1/2	R3/4	44	239	2230CCK	H3130
SOFN630		175	335	350	240	320	15	455	245	75	545	150	650	65	35	175	10	M30	R1/2	R3/4	44	292	2230CCK	H2330
SOFN532	140	178	298	316	205	280	18	405	215	65	470	120	560	50	35	158	10	M30	R1/2	R3/4	38	266	2232CCK	H3132
SOFN632		190	350	370	250	335	20	480	260	85	590	150	720	70	42	185	10	M36	R1/2	R3/4	50	315	2232CCK	H2332
SOFN534	150	195	330	350	230	310	20	440	235	70	515	130	610	55	35	175	10	M30	R1/2	R3/4	46	290	2234CCK	H3134
SOFN634		197	358	378	260	350	20	510	275	85	600	160	730	70	42	189	12	M36	R1/2	R3/4	44	321	2234CCK	H2334
SOFN536	160	205	340	360	240	320	20	455	245	75	545	150	650	65	35	180	10	M30	R1/2	R3/4	44	296	2236CCK	H3136
SOFN636		210	384.5	404	280	370	19.5	565	305	95	670	180	820	80	42	202	12	M36	R1/2	R3/4	48	342	2236CCK	H2336
SOFN538	170	220	350	370	250	335	20	480	260	85	590	150	720	70	42	185	12	M36	R1/2	R3/4	50	317	2238CCK	H3138
SOFN540	180	227	358	378	260	350	20	510	275	85	600	160	730	70	42	189	12	M36	R1/2	R3/4	44	315	2240CCK	H3140
SOFN544	200	255	384.5	404	280	370	19.5	565	305	95	670	180	820	80	42	202	12	M36	R1/2	R3/4	48	342	2244CCK	H3144
SOFN548	220	270	400	420	290	380	20	625	340	100	740	190	900	80	42	210	12	M36	R1/2	R3/4	56	360	2248CCK	H3148